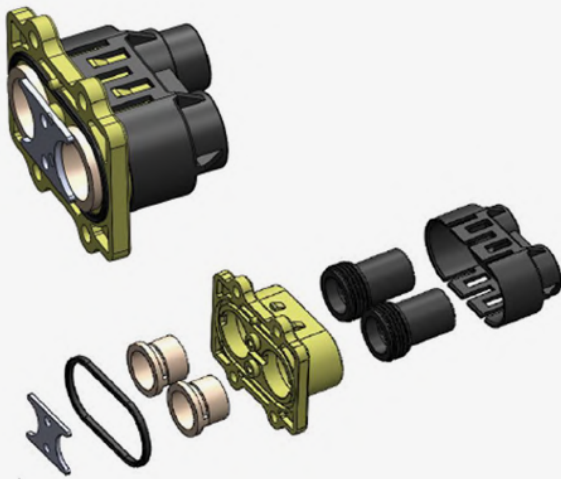


JPC's MCU connector is designed for non-plugged requirement application in EV electrical module. The characteristics of this product is removed the plug and receptacle, automatic secondary lock and HVIL design, then reduced the total solution cost.

## PRODUCT TYPE & EXPLODED VIEW



### PRODUCT SPECIFICATION

1. Operating Temperature : -40°C~125°C
2. Operating Voltage : 1000V DC
3. Withstand Voltage : 5000V DC
4. Insulation Resistance : 5000MΩ min
5. Protection Level : IP67
6. Current Rating : 200A max
7. Cable Size : 50mm<sup>2</sup>
8. Durability Cycle : 100
9. Salt Spray : 48HR

### PRODUCT FEATURE

1. 360 degree EMI shielding
2. UL94 V-0 flammability standard
3. QC/T413 Motor Vibration

### APPLICATION/MARKET

1. MCU
2. Motor
3. EV Interconnection

